

Please read these instructions completely before proceeding with installation.

DO NOT INFLATE AIR CYLINDERS BEFORE READING THE MAINTENANCE/OPERATION SECTION ON THE LAST PAGE.

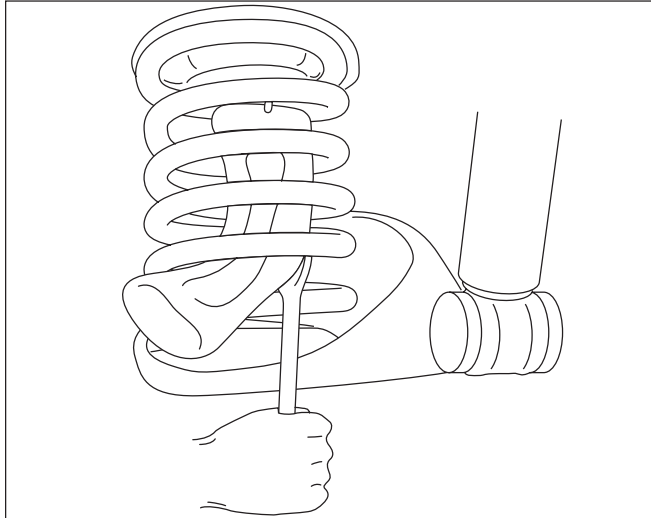


Figure 1

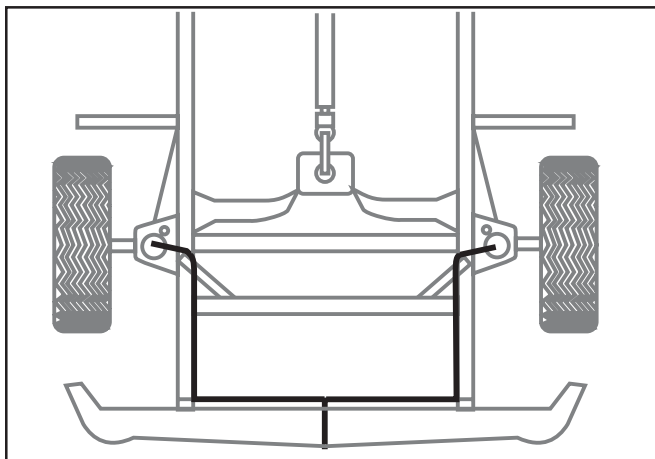


Figure 2

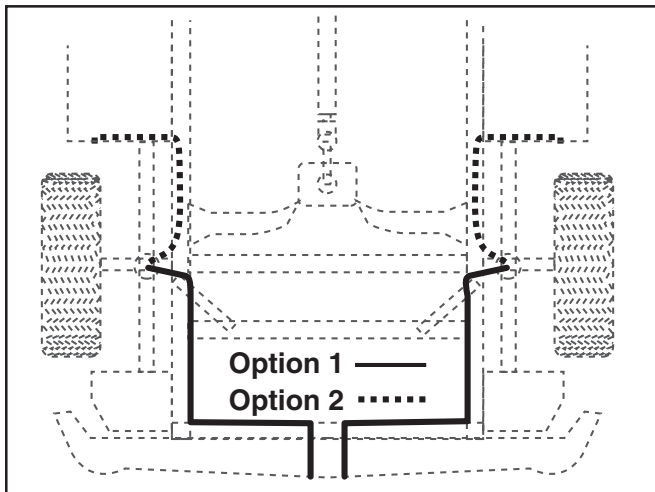


Figure 3

I. Installing the Air Cylinders

1. Lower or raise the body of the vehicle until the suspension is fully extended. Support the frame with jack stands.
2. Air cylinders are shipped in the “as molded” shape. For ease of installation, remove the plastic cap from the barbed stem on the end of the cylinder. Push on the air cylinder to evacuate as much air as possible. The air bag may be rolled up toward the valve stem. Replace the cap on the stem to maintain the flattened shape (Figure 1).
3. Insert the flattened air cylinder into the coil spring through the lowest opening with the stem at the top (Figure 1).
4. Push the cylinder up within the coil by hand or with a blunt instrument such as a spoon-type tire iron (Figure 1).
5. When the cylinder is completely within the coil, remove the cap and allow the cylinder to resume its “as molded” shape.
6. Push the cylinder to the bottom of the coil and insert the protector on top of the cylinder.

Note: Select either Tee Air Line (Figure 2) or Dual Air Line (Figure 3) option depending on the use of the vehicle. Tee Air Line installation is recommended unless weight in vehicle varies from one side to the other, in which case Dual Air Line installation is recommended to level the vehicle from side to side.

II. Tee Air Line Instructions

TO PREVENT AIR LINE FROM MELTING, KEEP IT AT LEAST TWELVE INCHES FROM THE EXHAUST SYSTEM.

1. Locate desired tee location on the frame rail or cross member.
2. Determine and cut adequate length of air line to reach from tee to left and right side on air cylinders.

CAUTION: LEAVE SUFFICIENT AIR LINE SLACK TO PREVENT ANY STRAIN ON FITTING DURING AXLE MOTIONS.

NOTE: To prevent air line from melting, keep it at least twelve inches from the exhaust system.

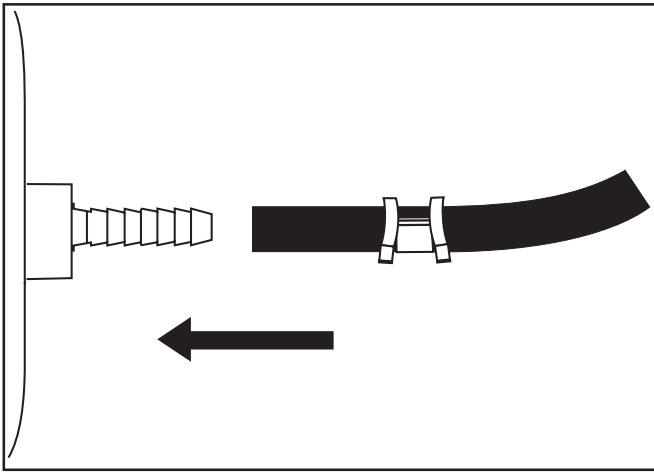
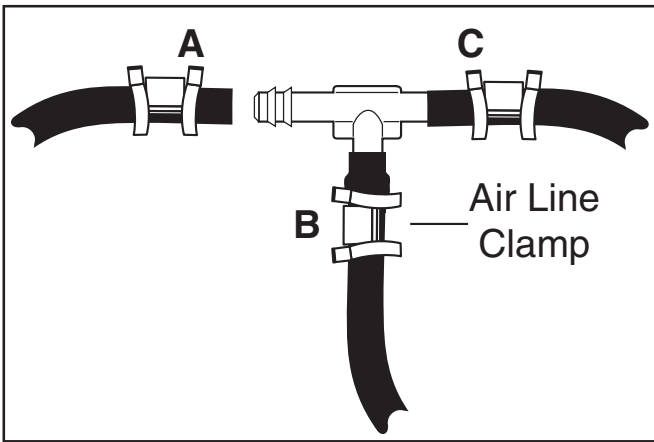


Figure 4



Use this procedure for all line connections:

- A. Slide air line clamp onto the air line
- B. Push the air line over the barbed stem.
- C. Compress the ears on the air line clamp with pliers and slide it forward to fully cover the barbed section.

Figure 5

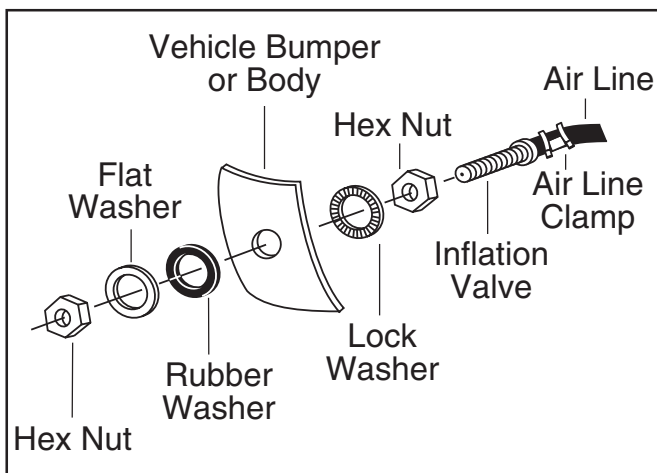


Figure 6

3. Slide air line clamp onto the air line (Figures 4 and 5).
4. Push the air line over one side of the tee until all the barbs are covered. Repeat procedure for other leg of tee (Figures 5).
5. With pliers, slide the air line clamp forward until it fully covers the barbed section. Repeat for other leg of tee (Figures 5).
6. Route air line along cross member and upper spring seat to left and right air cylinder.
7. Insert air line through spring seat protector and slide on the air line clamp (Figure 4).
8. Push the air line onto the barbed cylinder stem, covering all the barbs (Figure 4).
9. With pliers, slide the air line clamp downward until it fully covers the barbed section.
10. Push the remaining air line over the last fitting on tee and route along frame to desired inflation valve location (Figure 2). Attach with plastic straps or wire.
11. Select a location for inflation valve in the gas cap well, the trunk, rear bumper, fender flange or behind the license plate. Insure that the valve will be protected and accessible with an air hose.
12. Drill a 5/16" hole for inflation valve and mount as illustrated in Figure 6. The rubber washer is for outside weather seal.
13. Slide air line clamp over the air line. Push air line onto fitting covering all barbs. With pliers slide the air line clamp forward until it fully covers the barbed section (Figure 8).

II. Dual Air Line Routing

NOTE: To prevent air line from melting, keep it at least eight inches from exhaust system.

1. Select a location for the inflation valves in the gas cap well, the trunk, rear bumper, fender flange or behind the license plate. Insure that each valve will be protected and accessible with an air line.
2. Determine and cut an adequate length of air line to reach from the valve location to the left side air cylinder.

NOTE: Do not cut the air line longer than 90".

CAUTION: LEAVE SUFFICIENT AIR LINE SLACK TO PREVENT ANY STRAIN ON VALVE STEM DURING NORMAL AXLE MOTIONS.

3. Insert the air line through the spring seat protector and slide on the air line clamp (Figure 4).
4. Push the air line onto the barbed cylinder stem, covering all the barbs (Figure 4).
6. With pliers, slide the air line clamp forward until it fully covers the barbed section.
7. Route the air line along the frame or under the fender panel to the desired inflation valve location (Figure 6). Attach the air line to the chassis with plastic straps or wire.
8. Drill 5/16" hole for inflating valves and mount as illustrated. The rubber washer is for outside weather seal (Figure 6).
9. Slide air clamp over the air line. Push the air line over the fitting, covering all the barbs (Figure 8).
11. With pliers slide the air line clamp forward until it fully covers the barbed section (Figure 8).
12. Repeat the process for the right side.

III. Installing the Heat Shields

NOTE: Check exhaust clearance and insure that it is 2-3 inches from the air cylinder.

1. The heat shields are installed on the exhaust pipe at the closest point to the air spring to protect the unit from the radiant heat of the exhaust system.
2. Attach the radiator clamps loosely around the exhaust pipe nearest to the air spring.
3. Bend the heat shield tab out at a 90° angle to form an "L" shape. Repeat on the other tab (Figure 9). Position the heat shield and insert the heat shield tabs beneath the two radiator clamps. Tighten the clamps (Figure 9).
4. Bend the heat shield to form it around the tail pipe. Be sure to maintain a "dead air" space of 1/2" to 1" between the tail pipe and the heat shield (Figure 10).

NOTE: Make sure installation does not interfere with moving parts, gas lines, etc.

5. Install a heat shield on both sides of the cylinder/spring (Figure 9).

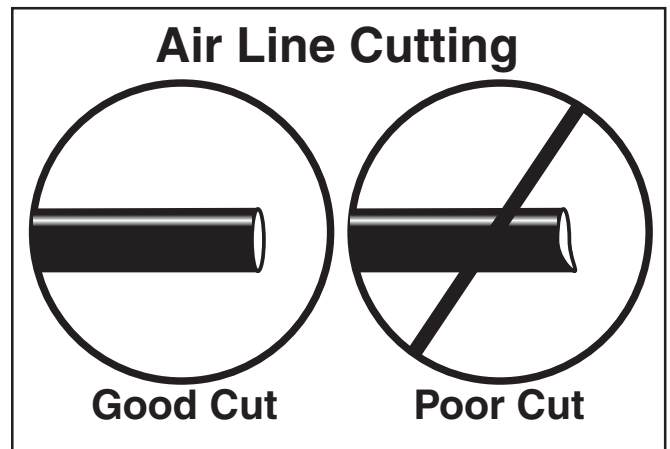


Figure 7

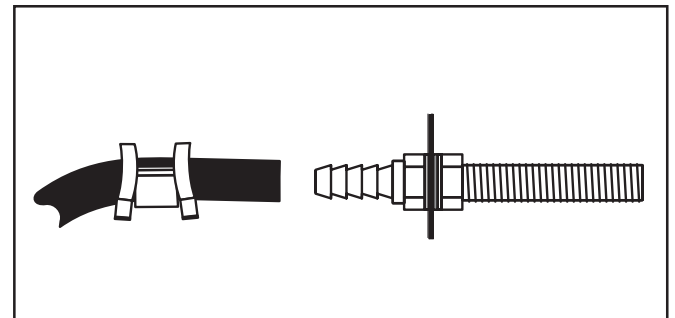


Figure 8

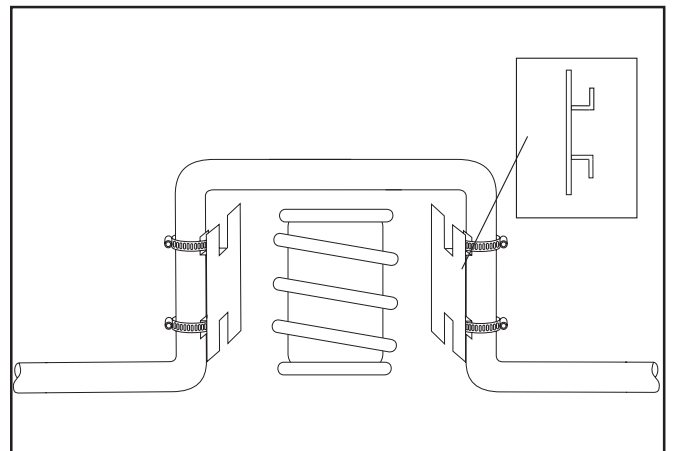


Figure 9

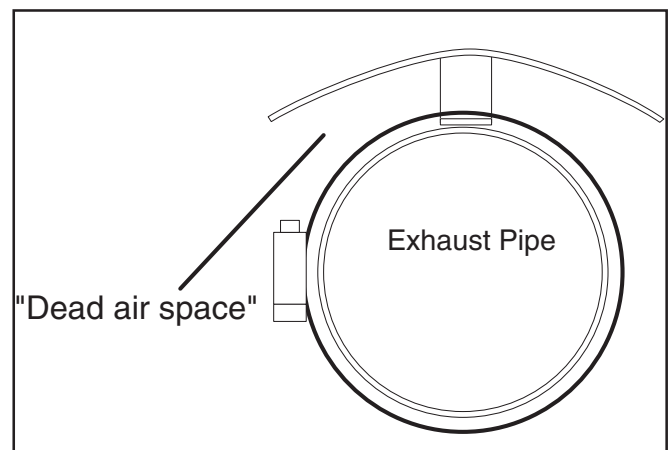


Figure 10

IV. Maintenance and Operations

MINIMUM AIR PRESSURE	MAXIMUM AIR PRESSURE
5 psi	35 psi

By following these steps, vehicle owners should obtain the longest life and best results from their air springs.

Maintenance Tips:

1. Check the air pressure in the air springs weekly.
2. Always maintain at least the 5 p.s.i. air pressure to prevent chafing or coil pinch.
3. If you develop a leak in the system, use a soapy water solution to check all air line connections and the valve core before removing the cylinder.

Operating Tips:

1. Inflate your air springs to 35 p.s.i. before adding the payload. This will allow the air cylinder to properly mesh with the coil spring. After vehicle is loaded, adjust your air pressure (down) to level the vehicle and for ride comfort.
2. When you are carrying a payload it will be helpful to increase the tire inflation pressure in proportion to any overload condition. We recommend a 2 p.s.i. increase above normal (not to exceed tire manufacturers maximum) for each 100 lbs. additional load on the axle.

CAUTION: Do not exceed the vehicle manufacturers maximum gross vehicle weight rating.

CAUTION: Failure to maintain minimum pressure will void the warranty.

Thank you for purchasing Air Lift Products



Mailing Address:
AIR LIFT COMPANY
P.O. Box 80167
Lansing, MI 48908-0167

Street Address:
AIR LIFT COMPANY
2727 Snow Rd.
Lansing, MI 48917

Local Phone: (517) 322-2144
Fax: (517) 322-0240

For Technical Assistance call 800-248-0892

“The Choice of the Professional Installer”

Printed in the USA



Product Use Information

Frequently asked questions

Q. Will installing air springs increase the weight ratings of a vehicle?

No. Adding air springs will not change the weight ratings (GAWR, GCWR and/or GVWR) of a vehicle. Exceeding the GVWR is dangerous and voids the Air Lift warranty.

Q. Is it necessary to keep air in the air springs at all time and how much pressure will they need?

The minimum air pressure should be maintained at all times. The minimum air pressure keeps the air spring in shape, ensuring that it will move throughout its travel without rubbing or wearing on itself.

Q. Is it necessary to add a compressor system to the air springs?

No. Air pressure can be adjusted with any type of compressor as long as it can produce sufficient pressure to service the springs. Even a bicycle tire pump can be used, but it's a lot of work.

Q. How long should air springs last?

If the air springs are properly installed and maintained they can last indefinitely.

Q. Will raising the vehicle on a hoist for service work damage the air springs?

No. The vehicle can be lifted on a hoist for short-term service work such as tire rotation or oil changes. However, if the vehicle will be on the hoist for a prolonged period of time, support the axle with jack stands in order to take the tension off of the air springs.

Tuning the air pressure

Pressure determination comes down to three things — level vehicle, ride comfort, and stability.

1. Level vehicle

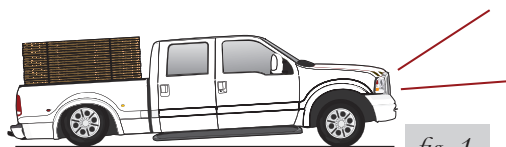
If the vehicle's headlights are shining into the trees or the vehicle is leaning to one side, then it is not level (fig. 1). Raise the air pressure to correct either of these problems and level the vehicle.

2. Ride comfort

If the vehicle has a rough and harsh ride it may be due to either too much pressure or not enough (fig. 2). Try different pressures to determine the best ride comfort.

3. Stability

Stability translates into safety and should be the priority, meaning the driver may need to sacrifice a perfectly level and comfortable ride. Stability issues include roll control, bounce, dive during braking and sponginess (fig. 3). Tuning out these problems usually requires an increase in pressure.



Bad headlight aim

fig. 1



Sway and body roll

fig. 2

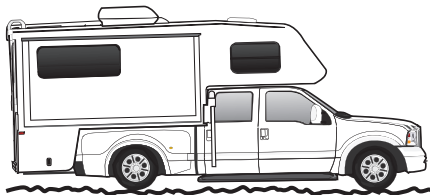


Rough ride

fig. 3

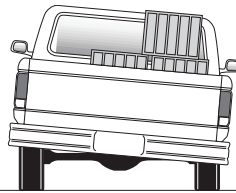
Guidelines for adding air:

1. Start with the vehicle level or slightly above.
2. When in doubt, always add air.
3. For motorhomes, start with 50-100 PSI in the rear because it can be safely assumed that it is heavily loaded.
4. If the front of the vehicle dives while braking, increase the pressure in the front air bags, if equipped.
5. If it is ever suspected that the air bags have bottomed out, increase the pressure (fig. 4).
6. Adjust the pressure up and down to find the best ride.
7. If the vehicle rocks and rolls, adjust the air pressure to reduce movement.
8. It may be necessary to maintain different pressures on each side of the vehicle. Loads such as water, fuel, and appliances will cause the vehicle to be heavier on one side (fig. 5). As much as a 50 PSI difference is not uncommon.

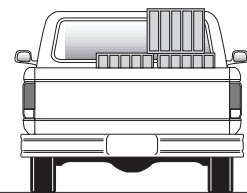


Bottoming out

fig. 4



Unlevel



Level

fig. 5

Warranty and Returns Policy

Air Lift Company warrants its products, for the time periods listed below, to the original retail purchaser against manufacturing defects when used on catalog-listed applications on cars, vans, light trucks and motorhomes under normal operating conditions for as long as Air Lift manufactures the product. The warranty does not apply to products that have been improperly applied, improperly installed, used in racing or off-road applications, used for commercial purposes, or which have not been maintained in accordance with installation instructions furnished with all products. The consumer will be responsible for removing (labor charges) the defective product from the vehicle and returning it, transportation costs prepaid, to the dealer from which it was purchased or to Air Lift Company for verification.

Air Lift will repair or replace, at its option, defective products or components. A minimum \$10.00 shipping and handling charge will apply to all warranty claims. Before returning any defective product, you must call Air Lift at (800) 248-0892 in the U.S. and Canada (elsewhere, (517) 322-2144) for a Returned Materials Authorization (RMA) number. Returns to Air Lift can be sent to: Air Lift Company • 2727 Snow Road • Lansing, MI • 48917.

Product failures resulting from abnormal use or misuse are excluded from this warranty. The loss of use of the product, loss of time, inconvenience, commercial loss or consequential damages is not covered. The consumer is responsible for installation/reinstallation (labor charges) of the product. Air Lift Company reserves the right to change the design of any product without assuming any obligation to modify any product previously manufactured.

This warranty gives you specific legal rights and you may also have other rights that vary from state-to-state. Some states do not allow limitations on how long an implied warranty lasts or allow the exclusion or limitation of incidental or consequential damages. The above limitation or exclusion may not apply to you. There are no warranties, expressed or implied including any implied warranties of merchantability and fitness, which extend beyond this warranty period. There are no warranties that extend beyond the description on the face hereof. Seller disclaims the implied warranty of merchantability. (Dated proof of purchase required.)

Air Lift 1000	Lifetime Limited
RideControl	Lifetime Limited
SlamAir	Lifetime Limited
LoadLifter 5000*	Lifetime Limited
EasyStreet Systems	1 Year Limited

Load Controller (I)	2 Year Limited
Load Controller (II)	2 Year Limited
SmartAir	2 Year Limited
Wireless AIR	2 Year Limited
Other Accessories	2 Year Limited

**formerly SuperDuty*