



AIR CUP MANAGEMENT KIT

FOUR CUP

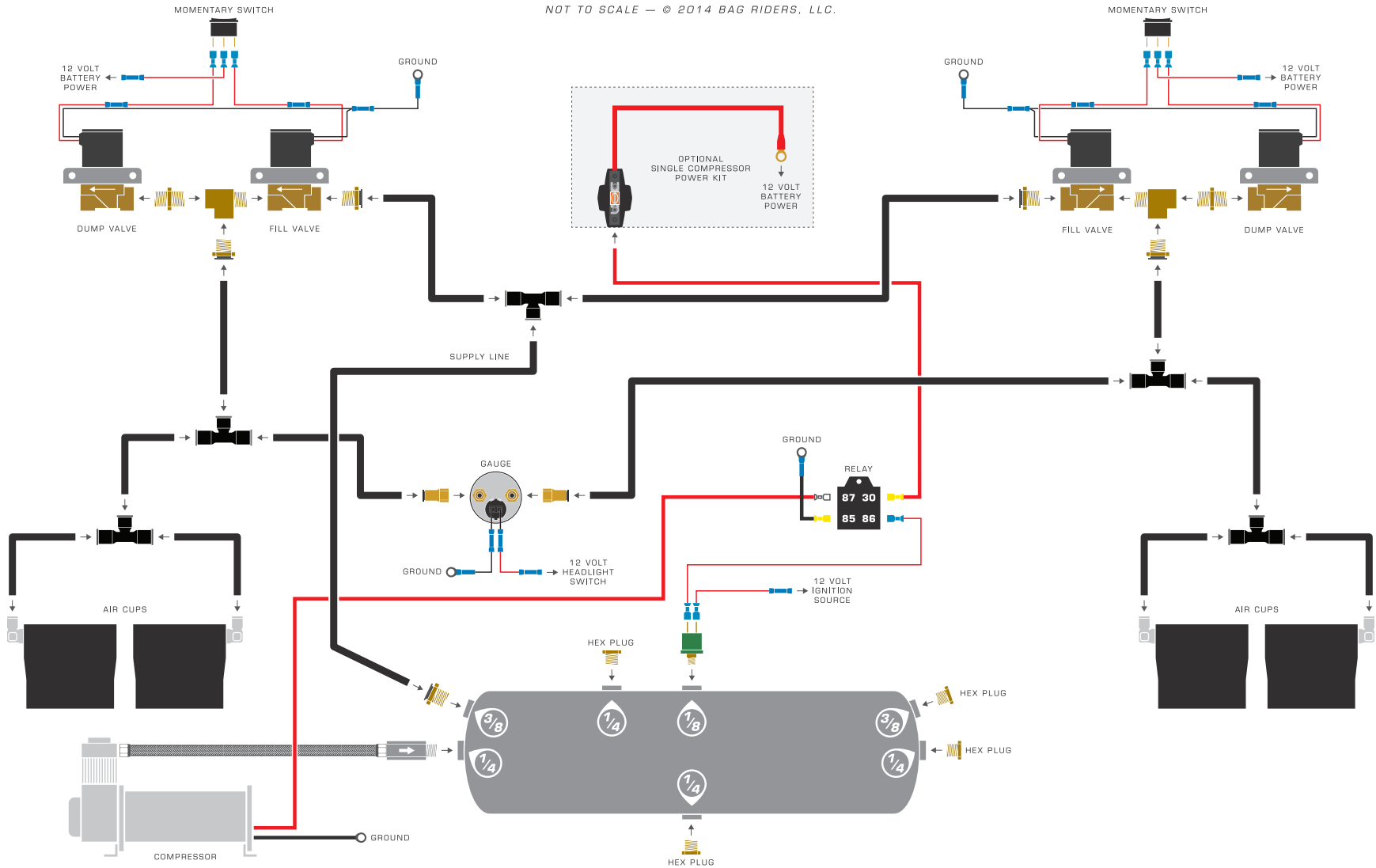
INSTALLATION GUIDE & DEFAULT COMPONENTS

FOR OFF-ROAD USE ONLY

© 2014 BAG RIDERS, LLC. | WWW.BAGRIDERS.COM | 802.735.2574

SINGLE COMPRESSOR WITH TANK

NOT TO SCALE — © 2014 BAG RIDERS, LLC.



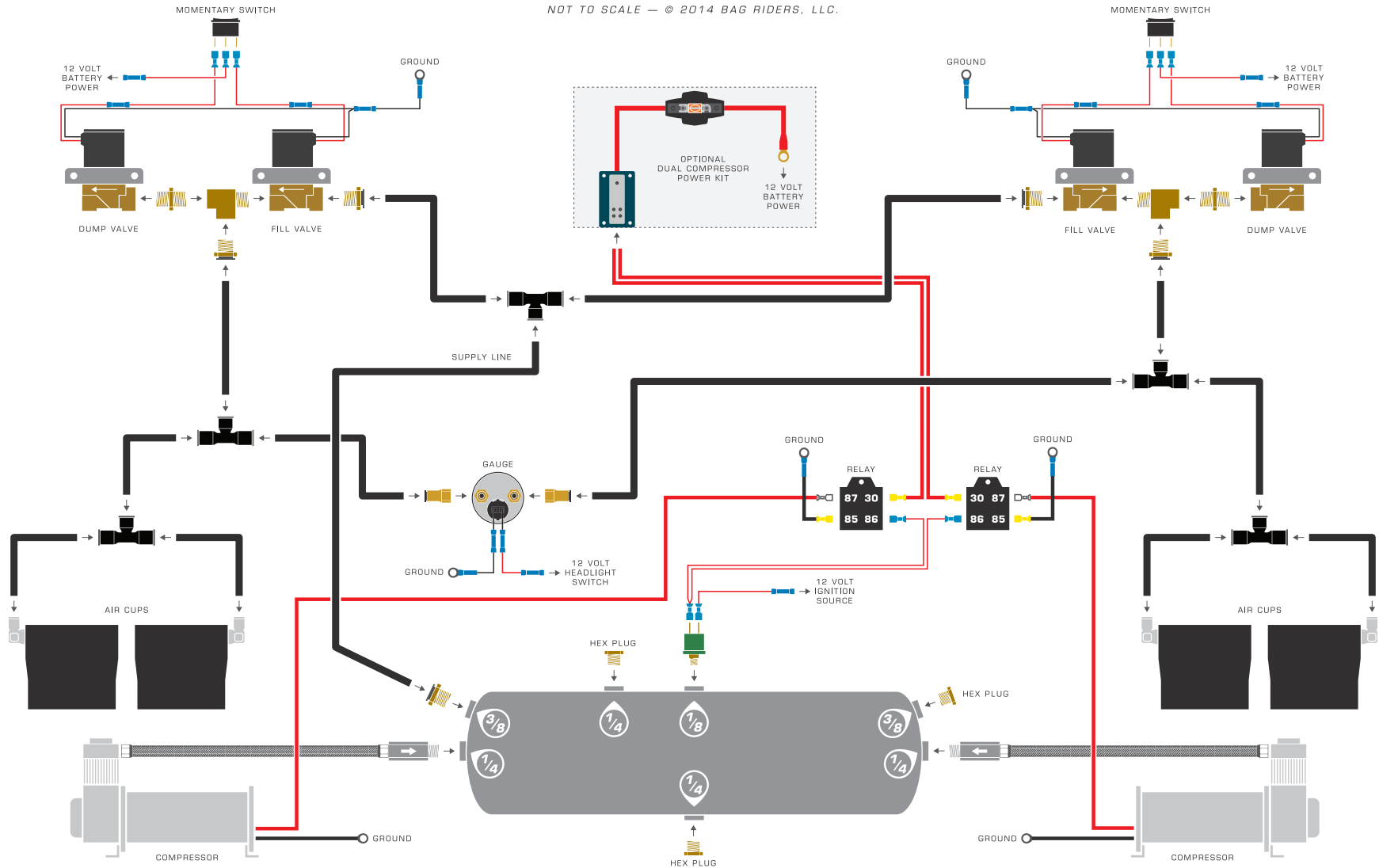
- 1 - Accuair Aluminum 3 Gallon Tank
- 1 - VIAIR 400c Compressor
- 1 - SMC Male Straight (1/4" PTC - 3/8" NPT)
- 4 - SMC Male Straight (1/4" PTC - 1/4" NPT)
- 2 - SMC Female Straight (1/4" PTC - 1/8" NPT)
- 5 - SMC Union Tee (1/4" PTC)
- 3 - Parker Brass Hex Plug (1/4")
- 1 - Parker Brass Hex Plug (3/8")
- 2 - Parker Brass Street Tee (1/4")

- 2 - Parker Brass Hex Nipple (1/4" - 1/4")
- 60 - Air Lift 1/4 Inch Air Line (By the Foot)
- 1 - Extra Dual Needle Gauge
- 2 - Momentary Switch (MOM-ON-MOM)
- 4 - Brass Valve (1/4")
- 1 - 12V 40A Relay
- 1 - Non-Adjustable Pressure Switch (145PSI)
- 60 - Red 16 Gauge Wire (By the Foot)
- 4 - Red 12 Gauge Wire (By the Foot)

- 6 - Black 16 Gauge Wire (By the Foot)
- 2 - Black 12 Gauge Wire (By the Foot)
- 12 - Blue Butt Connector (16-14 AWG)
- 3 - Blue Ring Connector (16-14 AWG)
- 9 - Blue Female Spade Connector (16-14 AWG)
- 2 - Yellow Female Spade Connector (16-14 AWG)

DUAL COMPRESSOR WITH TANK

NOT TO SCALE — © 2014 BAG RIDERS, LLC.



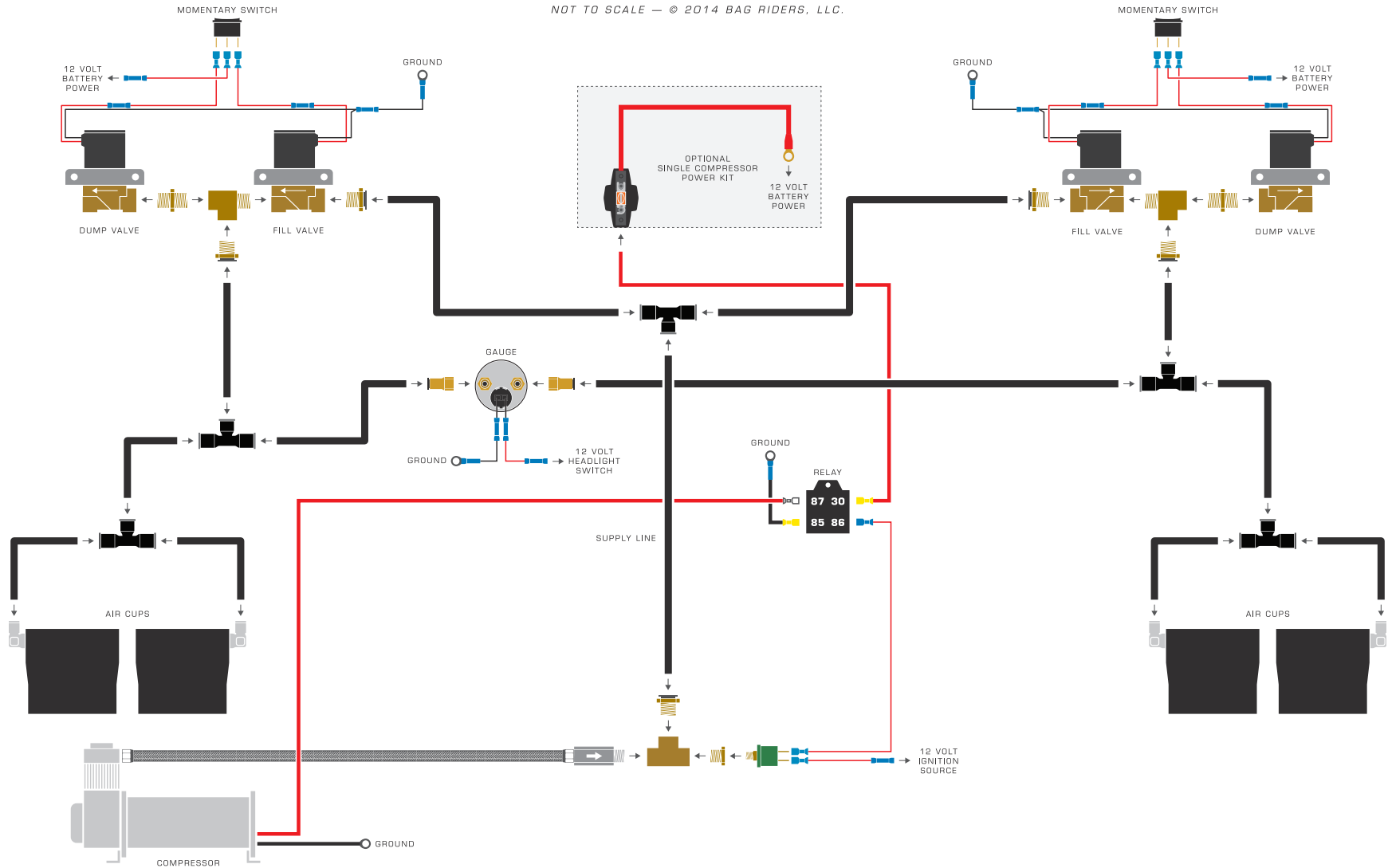
- 1 - Accuair Aluminum 3 Gallon Tank
- 2 - VIAIR 400c Compressor
- 1 - SMC Male Straight (1/4" PTC - 3/8" NPT)
- 4 - SMC Male Straight (1/4" PTC - 1/4" NPT)
- 2 - SMC Female Straight (1/4" PTC - 1/8" NPT)
- 5 - SMC Union Tee (1/4" PTC)
- 2 - Parker Brass Hex Plug (1/4")
- 1 - Parker Brass Hex Plug (3/8")
- 2 - Parker Brass Street Tee (1/4")

- 2 - Parker Brass Hex Nipple (1/4" - 1/4")
- 60 - Air Lift 1/4 Inch Air Line (By the Foot)
- 1 - Extra Dual Needle Gauge
- 2 - AVS Rocker Switch (MOM-ON-MOM)
- 4 - Brass Valve (1/4")
- 2 - 12V 40A Relay
- 1 - Non-Adjustable Pressure Switch (145PSI)
- 60 - Red 16 Gauge Wire (By the Foot)
- 4 - Red 12 Gauge Wire (By the Foot)

- 6 - Black 16 Gauge Wire (By the Foot)
- 2 - Black 12 Gauge Wire (By the Foot)
- 12 - Blue Butt Connector (16-14 AWG)
- 5 - Blue Ring Connector (16-14 AWG)
- 10 - Blue Female Spade Connector (16-14 AWG)
- 4 - Yellow Female Spade Connector (16-14 AWG)

SINGLE COMPRESSOR TANKLESS

NOT TO SCALE — © 2014 BAG RIDERS, LLC.



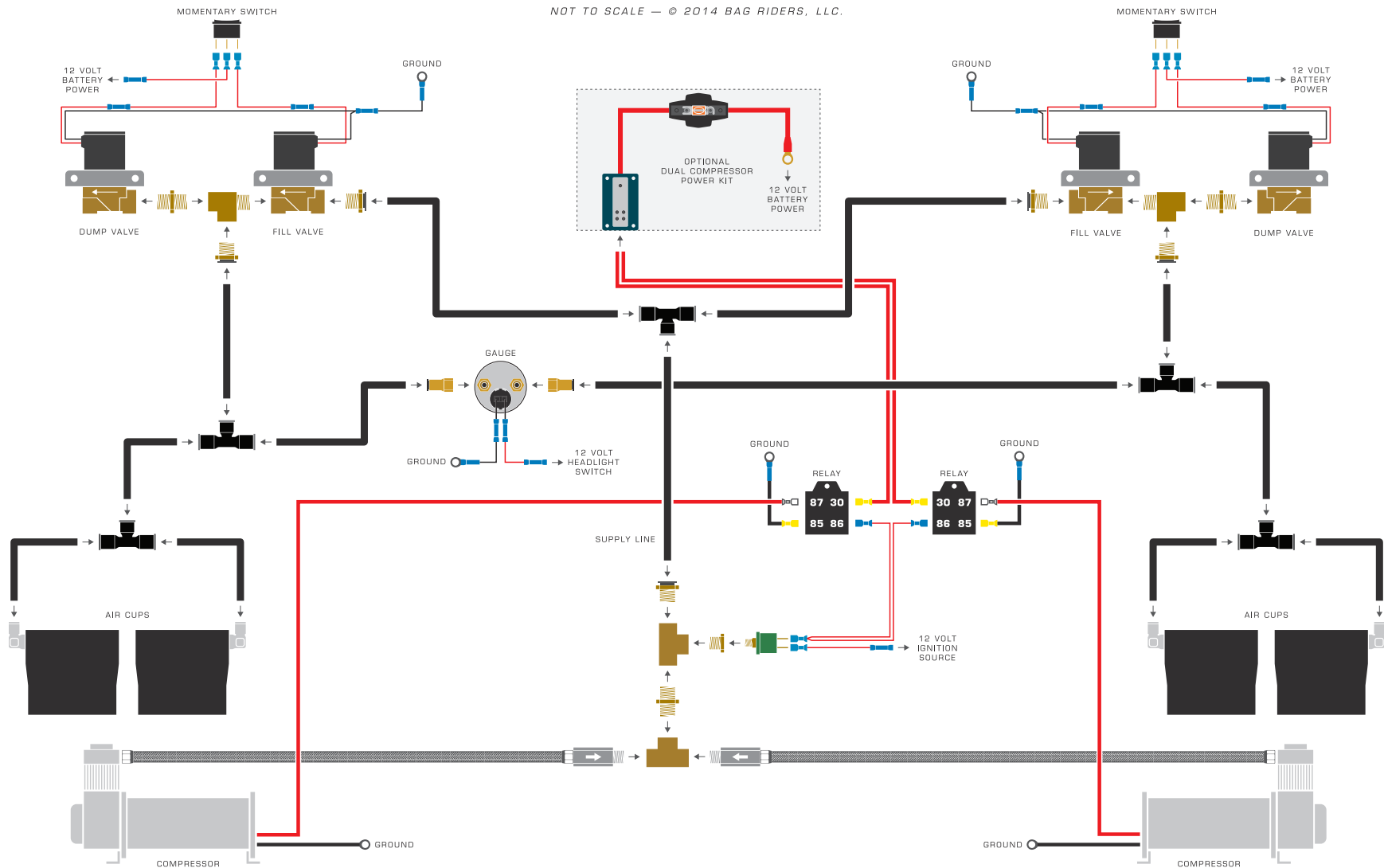
- 1 - VIAIR 400c Compressor
- 5 - SMC Male Straight (1/4" PTC - 1/4" NPT)
- 2 - SMC Female Straight (1/4" PTC - 1/8" NPT)
- 5 - SMC Union Tee (1/4" PTC)
- 2 - Parker Brass Street Tee (1/4")
- 2 - Parker Brass Hex Nipple (1/4" - 1/4")
- 1 - Parker Brass Female Tee (1/4" NPT)
- 60 - Air Lift 1/4 Inch Air Line (By the Foot)
- 1 - Exta Single Needle Gauge

- 2 - AVS Rocker Switch (MOM-ON-MOM)
- 4 - Brass Valve (1/4")
- 1 - 12V 40A Relay
- 1 - Non-Adjustable Pressure Switch (145PSI)
- 60 - Red 16 Gauge Wire (By the Foot)
- 4 - Red 12 Gauge Wire (By the Foot)
- 6 - Black 16 Gauge Wire (By the Foot)
- 2 - Black 12 Gauge Wire (By the Foot)
- 11 - Blue Butt Connector (16-14 AWG)

- 4 - Blue Ring Connector (16-14 AWG)
- 6 - Blue Female Spade Connector (16-14 AWG)
- 2 - Yellow Female Spade Connector (16-14 AWG)

DUAL COMPRESSOR TANKLESS

NOT TO SCALE — © 2014 BAG RIDERS, LLC.



- 2 - VIAIR 400c Compressor
- 5 - SMC Male Straight (1/4" PTC - 1/4" NPT)
- 2 - SMC Female Straight (1/4" PTC - 1/8" NPT)
- 5 - SMC Union Tee (1/4" PTC)
- 2 - Parker Brass Street Tee (1/4")
- 3 - Parker Brass Hex Nipple (1/4" - 1/4")
- 2 - Parker Brass Female Tee (1/4")
- 60 - Air Lift 1/4 Inch Air Line (By the Foot)
- 1 - Exta Dual Needle Gauge

- 2 - AVS Rocker Switch (MOM-ON-MOM)
- 4 - Brass Valve (1/4")
- 2 - 12V 40A Relay
- 1 - Non-Adjustable Pressure Switch (145PSI)
- 60 - Red 16 Gauge Wire (By the Foot)
- 4 - Red 12 Gauge Wire (By the Foot)
- 6 - Black 16 Gauge Wire (By the Foot)
- 2 - Black 12 Gauge Wire (By the Foot)
- 12 - Blue Butt Connector (16-14 AWG)

- 5 - Blue Ring Connector (16-14 AWG)
- 10 - Blue Female Spade Connector (16-14 AWG)
- 4 - Yellow Female Spade Connector (16-14 AWG)