

# e-Level™ Electronic Leveling System 4-Corner Package w/ Rocker Switch

# AA-ELS4-RSW



The e-Level™ Electronic Leveling System is the heart of any AccuAir suspension package and provides unparalleled technology and features. This second generation controller offers the ability to save three unique vehicle heights into memory at the touch of a button using TruPosition™ Height Sensors installed in each corner of your suspension. These three heights are then instantly accessible from the user interface. The key to this technology is its RideMonitor™ Mode; while parked or driving the system will maintain the vehicle height when loading or unloading passengers and cargo or when road conditions change while driving. All of this automatic intelligence is unnoticed by the driver providing a consistent ride quality for all circumstances.

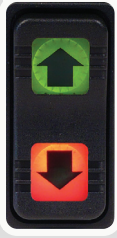
Operation of the e-Level™ system is simple, yet its features are constantly working to provide you with the perfect ride-height in all conditions. Because the e-Level™ system utilizes height sensors instead of pressure sensors, changes in load are accurately corrected for. The adjustments made by an e-Level™ controller are so accurate that each wheel maintains its height within 1/8<sup>th</sup> of an inch and actually prevents cross-loading of air springs at a higher accuracy than any other method (Read "[Air on Scales](#)"). This is all made possible because the system calibrates to the vehicle upon installation and then learns how your air suspension behaves over time (similar to the technology used in today's advanced fuel injection systems). This flexibility allows the e-Level™ controller to be used on any vehicle with a wide variety of valve speeds and requires NO user tuning. In addition to managing the height of your air springs, the e-Level™ system also manages your air compressor(s). A 0-200 psi sealed tank pressure sensor lets the ECU know the constant status of the air tank. This eliminates the use of a mechanical pressure switch and lets the e-Level™ system manage your compressor(s) more efficiently. Constant self diagnostics monitor every component in the system and notify the user if a problem occurs. The e-Level™ system also constantly monitors the status of your vehicle's batteries and automatically turns the compressor(s) OFF if the system voltage drops below 10.5 volts.

## Features:

- **3 Programmable Heights** Lowered / Ride Height / Raised.
- **RideMonitor™ Mode** adjusts as needed while driving or parked.
- **TruPosition™ Height Sensors** provide accurate leveling regardless of load.
- **Ride-Height-on-Start** gets you ready to drive when you turn the key.
- **Anti "Cross-loading" Height Management** gives balanced spring weights.
- **Rocker Switch Interface** allows access to your 3 programmable heights and controls each individual air spring or front and rear as a pair.
- **Key-Chain Remote** (optional) accesses your 3 programmable heights from up to 200 ft away.
- **Automatically Calibrates** to any Air Suspension System on any vehicle, (NO user programming required).
- **Straight to Height adjustments** avoid valve "pulsing" and gets you ready to drive immediately.
- **Active Learning** maximizes leveling performance after every adjustment.
- **Manages Air Compressors** for faster height recovery.
- **Monitors Vehicle Voltage** and automatically turns compressor(s) OFF at 10.5 volts to prevent a dead battery.
- **100% Weather-Proof** for under vehicle mounting.
- **Plug-n-Play** wiring harnesses for ease of installation.
- **Each System is 100% Factory Tested.**



### Height Selection Rocker Switch:



- 3 Raised/Clearance**  
(Factory set 90%, user re-savable)
- 2 Ride Height**  
(Factory set 50%, user re-savable)
- 1 Dump/Kneel**  
(Factory set 10%, user re-savable)

A hidden program button is included to make manual adjustments, saving new favorite heights, and changing system preferences simple from inside the vehicle.

### Rocker Switch Interface:

When mounting space and cost are paramount, the Rocker Switch Interface is a simple, yet effective solution. The primary function of the Rocker Switch is to access your three saved heights pressing UP or DOWN to raise or lower between saved heights (current vehicle height is indicated by red and green LED lit arrows). A small program button (usually hidden under the dash) allows you to toggle through functions like manual control over each air spring individually, manual control over front and rear air springs in "pairs", Re-Saving each of your heights, and adjusting system preferences.

*NOTE: This system also works with the TouchPad™ to make for simple upgrading.*

*All wiring harnesses are color-coded and Plug-n-Play for quick and error-free installation.*

### Optional Accessories Pictures:

#### Wireless Key-Fob (Optional)



Kit Includes:	Qty	PN
Electronic Control Unit (ECU)	1	AA-EC4
Rocker Switch Interface & Main Harness w/ built in fuses (20 ft)	1	AA-H-MAIN-RSW
Ride Height Sensors w/ Linkage	4	AA-SENSKIT
4-Corner Height Sensor Harness (20/20/16/16 ft)	1	AA-H-SENS4
4-Corner Solenoid Valve Harness (1 ft Pigtail)	1	AA-H1-ECV4-P
0-200 psi Tank Pressure Sensor	1	AA-PSENS-200
Stainless Steel Mounting Hardware Package	1	AA-HW-ELS-RSW
Illustrated Installation & Operation Manuals	1	AA-INST-ELS4-RSW

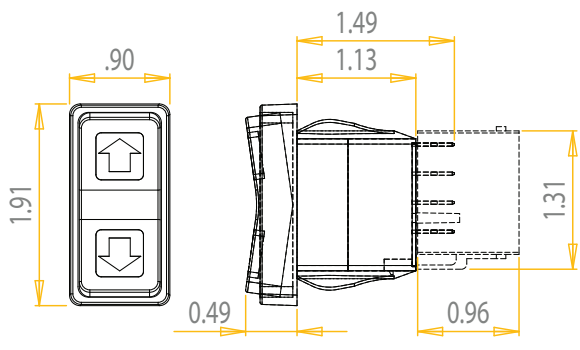
Optional Accessories Items:	Qty	PN
Wireless Key-Fob Module	1	AA-RF-FOB

Technical Specifications:	
Compatible Suspension Type	4-Corner Full Air Suspension (any brand, any vehicle)
No. of Savable Heights	3 & All-Down
Voltage Requirements	9.5-16 Volts
Current Requirements	15 Amps (Max)
Valve Output	(8) 12-volt solenoid valves up to 3 Amps each (any brand)
Compressor Output	3-Amps Max
Tank Pressure Range	110 psi ON; 150 psi OFF
Connectors	IP67 certified (immersion up to 3 ft)
Position Accuracy	1/8" at wheel while parked or driving
Leveling Response Time	5 seconds parked / 45 seconds driving
Auxiliary Device Compatibility	- TouchPad™ Interface - Rocker Switch Interface - Wireless Key-Fob Module - (4) Universal "GND-trigger" Inputs for use with customer supplied alarm, or other device. Triggers 3 Heights & All-Down
Compatibility available upon request	- Horizon Leveling Module - CANbus protocol for use with customer specific interfaces

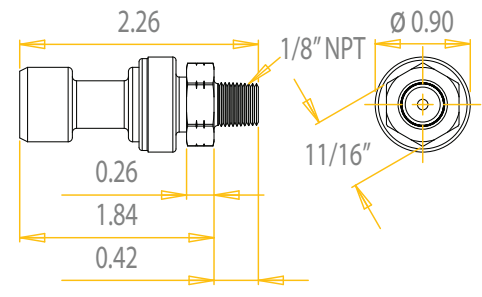
# e-Level™ Electronic Leveling System 4-Corner Package w/ Rocker Switch

# AA-ELS4-RSW

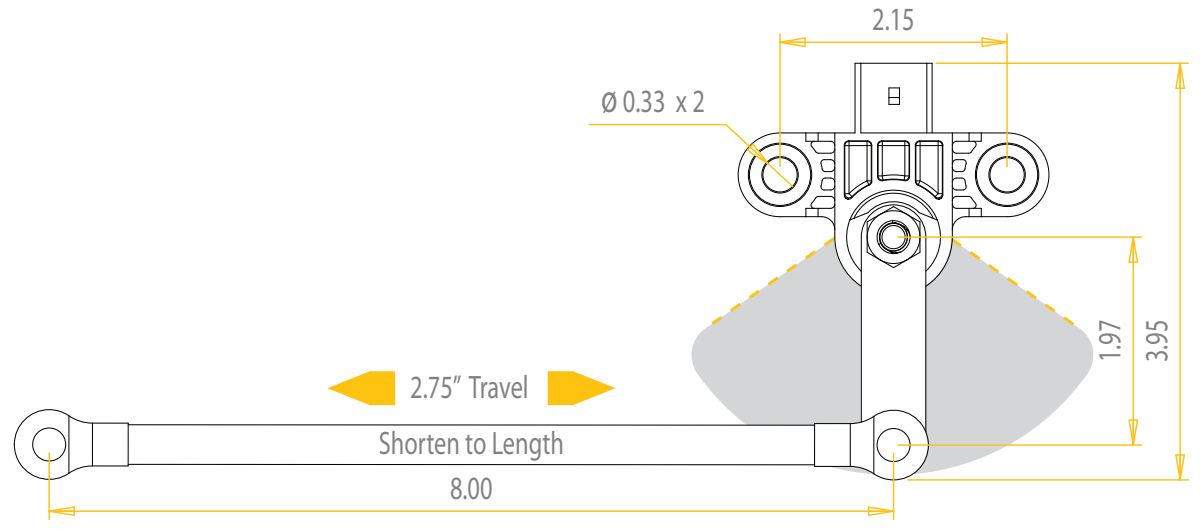
Dimensions In Inches (Not To Scale) **ROCKER SWITCH**



Dimensions In Inches (Not To Scale) **TANK PRESSURE SENSOR**



Dimensions In Inches (Not To Scale) **RIDE HEIGHT SENSOR**



Dimensions In Inches (Not To Scale) **ECU**

